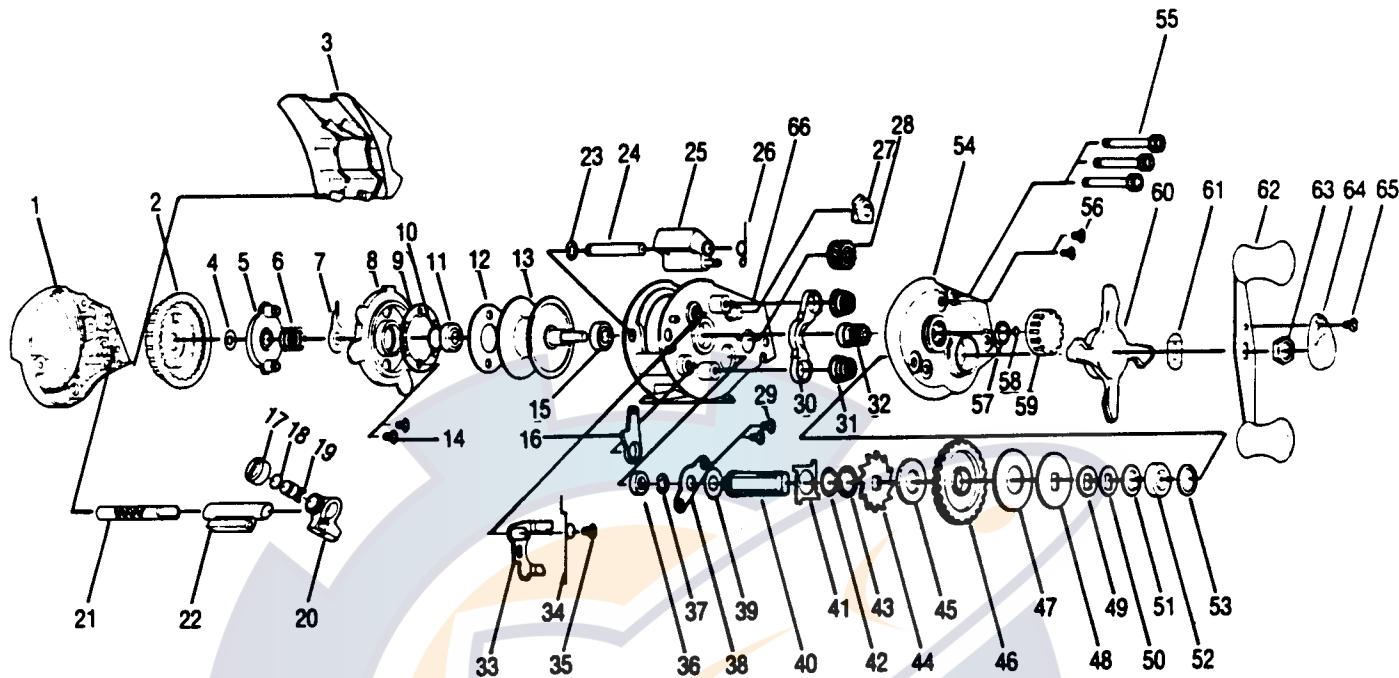


QUANTUM QP100



Key No.	Part No.	Description	Price	Key No.	Part No.	Description	Price
1	WW023	LEFT SIDE COVER	5.51	35	WW076	SCREW-RELEASE SLIDER	.77
2	WW026	MAGNET CONTROL DIAL	1.49	36	WW103	CRANK SHAFT BUSHING	.88
3	WW027	HOOD	3.91	37	QW120	E-RING	.52
4	NX105	DIAL FRICTION RING	.77	38	WW002	RETAINER-CRANK SHAFT	1.03
5	WW028	SLIDE CAM	.93	39	WW104	WASHER-CRANK SHAFT	.52
6	NX071	SLIDE CAM SPRING	.67	40	WW008	CRANK SHAFT	2.99
7	WW108	CLICKER	.88	41	GW083	TRIP RATCHET	2.25
8	WW051	SPOOL COVER	6.64	42	WW105	WASHER-TRIP RATCHET	.88
9	WW330	MAGNET PLATE ASSEMBLY	6.64	43	WW111	WASHER-RATCHET	.93
10	WW082	SPOOL TENSION SHIM	.41	44	WW091	A/R RATCHET	.93
11	WW017	SPOOL SHAFT BUSHING	.46	45	WW110	WASHER-DRIVE GEAR	.93
13	WW321	SPOOL ASSEMBLY	8.29	46	WW012	DRIVE GEAR	8.19
14	QW076	SCREW	.62	47	WW059	DRAG DISC	2.68
15	WW017	SPOOL SHAFT BUSHING	.46	48	WW045	WASHER-DRAG	1.24
16	WW084	LINK	.98	49	QW046	SPRING WASHER D	.98
17	QW007	LINE GUIDE CARRIER SCREW	2.16	50	QW046	SPRING WASHER D	.98
18	QW035	CRANK SHAFT WASHER	1.49	51	WW035	WASHER-BEARING	.98
19	WW006	LINE GUIDE PAWL	2.16	52	WW058	BEARING	8.09
20	WW347	LINE GUIDE CARRIER	1.08	53	WW035	WASHER-BEARING	.98
21	WW072	WORM SHAFT	5.51	54	WW024	RIGHT SIDE COVER	3.24
22	WW016	WORM SHAFT GUIDE	1.08	55	WW374	THUMB SCREW	1.44
23	QW120	E-RING	.52	56	QW050	THUMB REST SCREW	.93
24	WW050	THUMB BAR PIN	1.24	57	WW101	TENSION KNOB O-RING	.77
25	WW309	THUMB BAR ASSEMBLY	2.21	58	WW032	WASHER-TENSION KNOB	.46
26	WW022	THUMB BAR SPRING	.88	59	WW033	TENSION KNOB	.93
27	WW363	A/R PAWL ASSEMBLY	1.75	60	WW055	DRAG STAR	2.94
28	WW085	LEVEL WIND GEAR	.93	61	NX054	WASHER-HANDLE	.77
29	WW107	SCREW	.67	62	WW318	HANDLE ASSEMBLY	5.51
30	WW025	PINION YOKE	.93	63	QW003	HANDLE NUT	1.60
31	WW040	SPRING YOKE	.52	64	QW034	HANDLE NUT CAP	.93
32	WW311	PINION ASSEMBLY	3.30	65	QW123	HANDLE NUT CAP SCREW	.93
33	WW039	RELEASE SLIDER	1.24	66	WW001	FRAME	3.61
34	WW109	SPRING-RELEASE SLIDER	1.49				

Prices subject to change without notice. Prices do not include postage and handling.

PLEASE ORDER BY PART NUMBER

Rev. 5/93

Zebco Division Brunswick Corporation, Box 270, Tulsa, OK 74101 USA 918-836-5581

